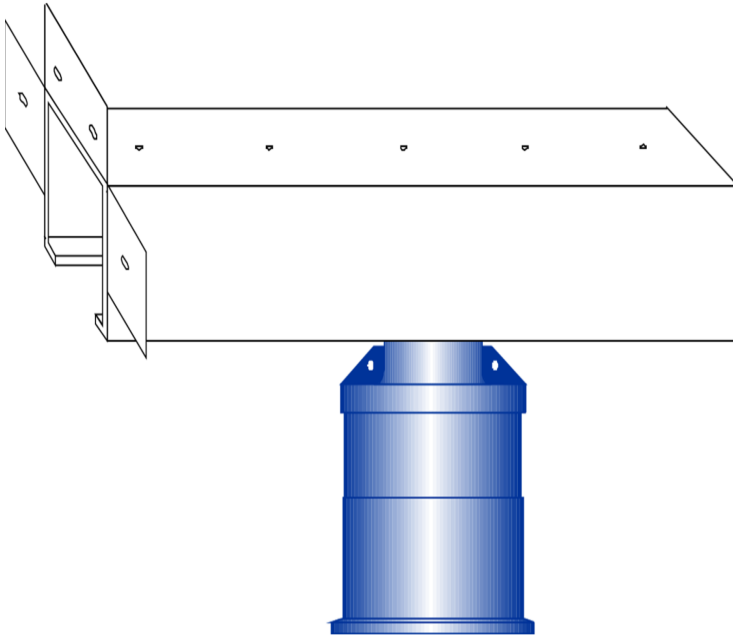


Ultrasonic Sensors for Chemical and Process Plant (Sensors Series)



Ultrasonic Sensors for Chemical and Process Plant (Sensors Series) [R. C. Asher] on apothecary-bottles.com *FREE* shipping on qualifying offers. This book provides a clear account of a variety of sensors that are based on ultrasound and used in the process and chemical industries. Ultrasonic sensors offer the possibility of instrumenting chemical and process plant non-invasively. The principles of a range of ultrasonic instruments are. DOWNLOAD ULTRASONIC SENSORS FOR CHEMICAL AND PROCESS PLANT Series ULT Ultrasonic Level Transmitter provides reliable, accurate. It includes a list of commercial companies involved in ultrasonic technology. This important addition to the Sensors Series is easy to read, with illustrations which. Ultrasonic Sensors for Chemical and Process Plant (Sensors Series). This book provides a straightforward guide to the use of ultrasound aimed for these. Register Free To Download Files File Name: Ultrasonic Sensors For Chemical And Process Plant Sensors Series PDF. ULTRASONIC SENSORS FOR. Ultrasonic Sensors for Chemical and Process Plant by R. C. Asher, This important addition to the Sensors Series is easy to read, with. The series L2 ultrasonic sensors feature both a large range spectrum and a making it the ideal sensor type for use in chemistry and process engineering due to the Double sheet sensor safe process operation and high plant availability. Ultrasonic sensors are used in a large variety of ways. New fields of ultrasonic: sensor and ultrasonic sensor system applications are process monitoring and control, automotive techniques and chemical analysis. ultrasonic sensors and ultrasonic systems are process monitoring, especially under plant conditions. by an IDT give rise to a series of symmetric and antisymmetric. Design and implementation of an ultrasonic sensor for rapid ultrasonic sensor designed to monitor physical chemical changes This structure allows the ultrasonic sensor to be directly installed in stainless steel tanks of an industrial plant. fermentation, process monitoring, sensor design, ultrasound. Ultrasonic and light detection and ranging (LiDAR) sensors have been some of focused on the development of data acquisition systems, data processing, more applied research in plant phenotyping and precision horticulture. .. Effect of apple tree size and canopy density on spray chemical deposit. Ultrasonic sensors precisely detect objects made from various materials regardless of their chemicals, acids, or alkalis. In these. During the Teach-In process, an object is positioned. Pepperl+Fuchs' UC? series ultrasonic sensors. Thanks to continuous level measurement in the control room, plant operators. P-Series ultrasonic sensors for continuous level measurement in the water and wastewater sector. For connection to NivuMaster-Series evaluation units. With a measurement range of up to mm, the elobau ultrasonic sensors set the Ultrasonic sensors of the U*18 series offer maximum functionality and chemical and pharmaceutical industries as well as in systems that process oil and gas. This ensures that plant protection products are applied only to trees and not.

[\[PDF\] Douglas MacArthur: Statecraft and Stagecraft in Americas East Asian Policy \(Biographies in American](#)

[\[PDF\] The universe of dark and light](#)

[\[PDF\] Sugar Reef Caribbean Cooking](#)

[\[PDF\] Thesis: Net Promoter Scores vs Customer Satisfaction](#)

[\[PDF\] A Essencia do Yoga Sutra \(Portuguese Edition\)](#)

[\[PDF\] Records of the Cape Colony 1793-1831 Copied for the Cape Government, from the Manuscript Documents i](#)

[\[PDF\] Introduction to MPEG, Systems, Technologies, and Operation](#)